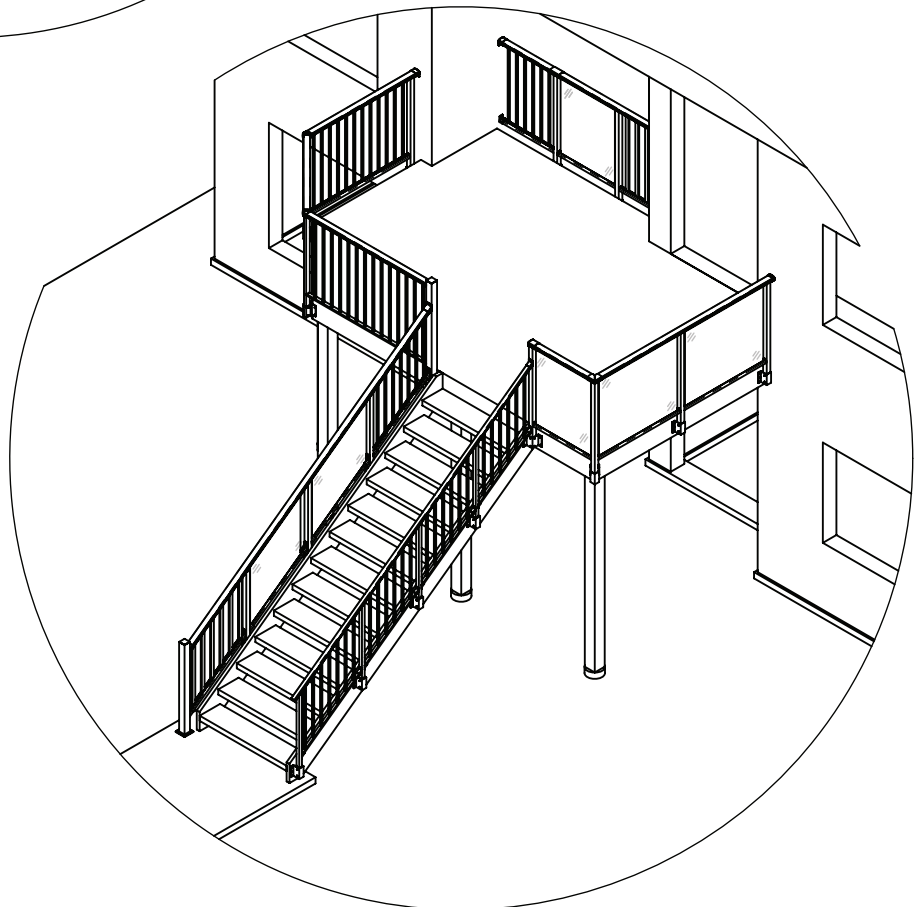
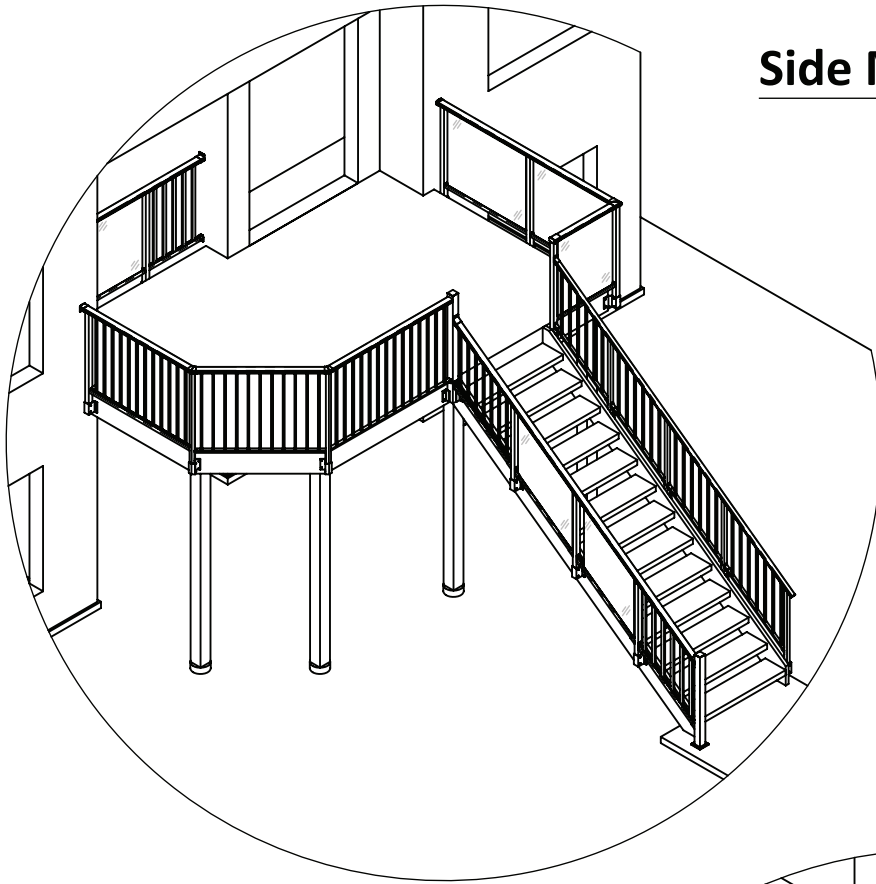


## Side Mount & Component

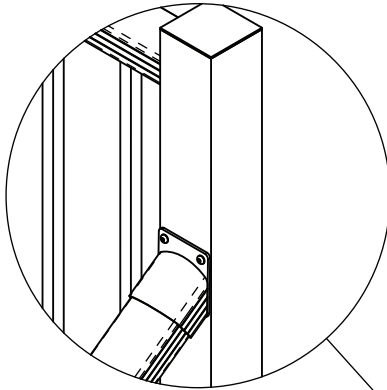
- *Simplicity*
- *Quality*
- *Ease of Installation*
- *Predictability*
- *Confidence*



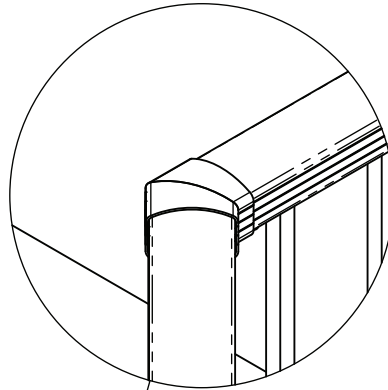
*It's all right here,  
built into your  
project with*

**SMART RAIL SYSTEM**

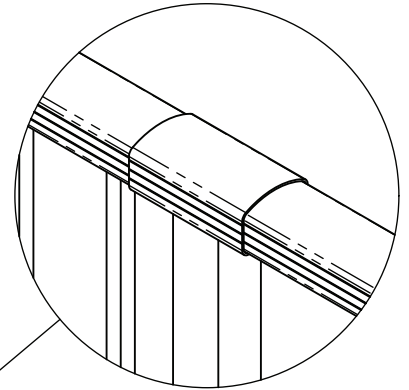
**SIDE MOUNT  
& COMPONENT**



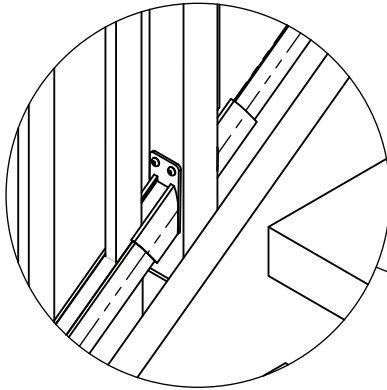
**P314 3" PLAIN POST  
(PAGE 4.13)**



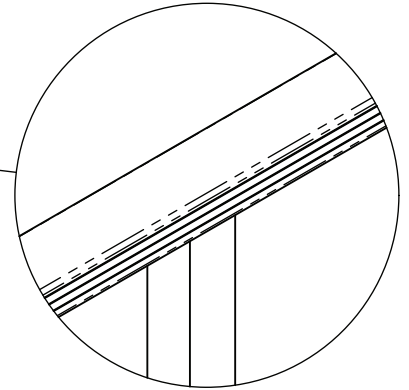
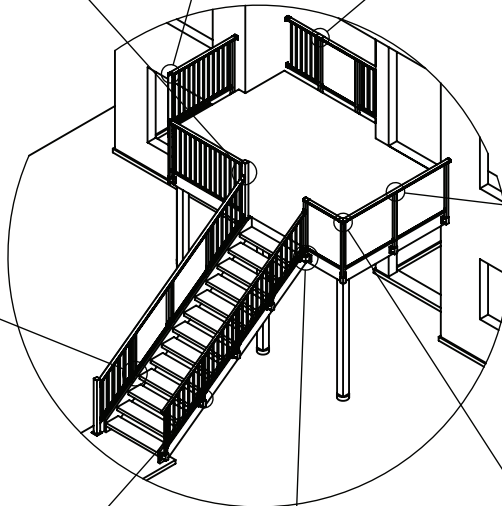
**P204 135° CORNER POST  
(PAGE 4.06)**



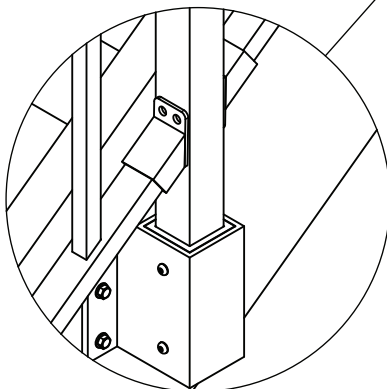
**P202 CONNECTOR POST  
(PAGE 4.05)**



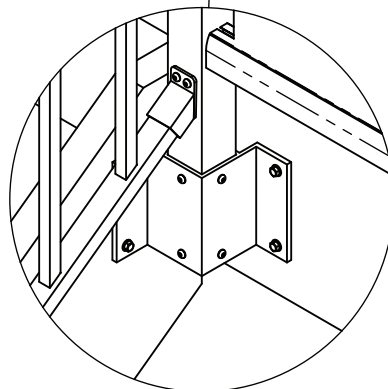
**P104 2" PLAIN POST  
(PAGE 4.11)**



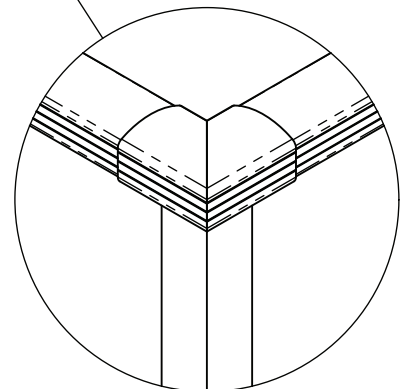
**P212 INLINE POST  
(PAGE 4.10)**



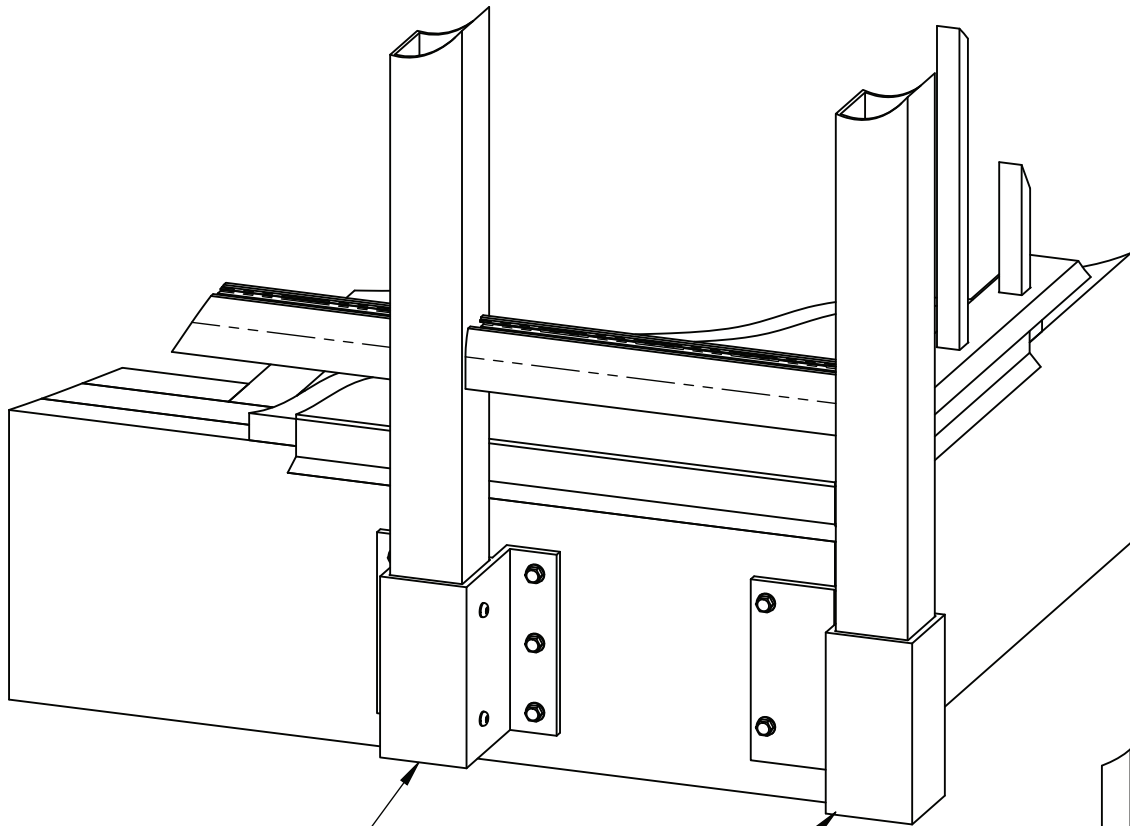
**P103 1 1/2" PLAIN POST  
(PAGE 4.12)**



**P208 END CAPPED POST  
(PAGE 4.08)**



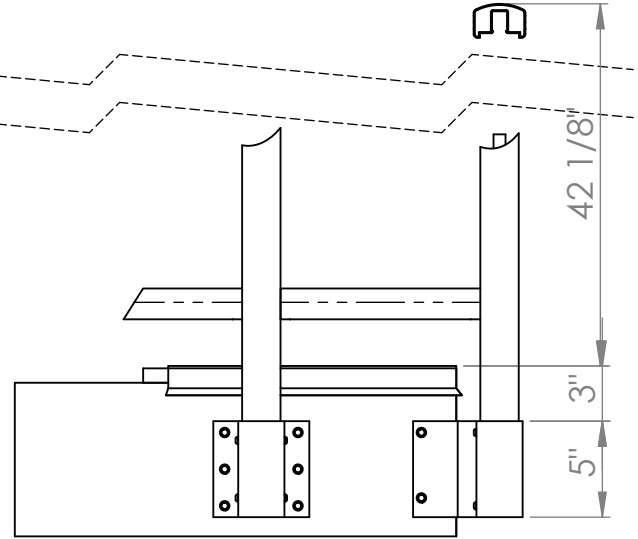
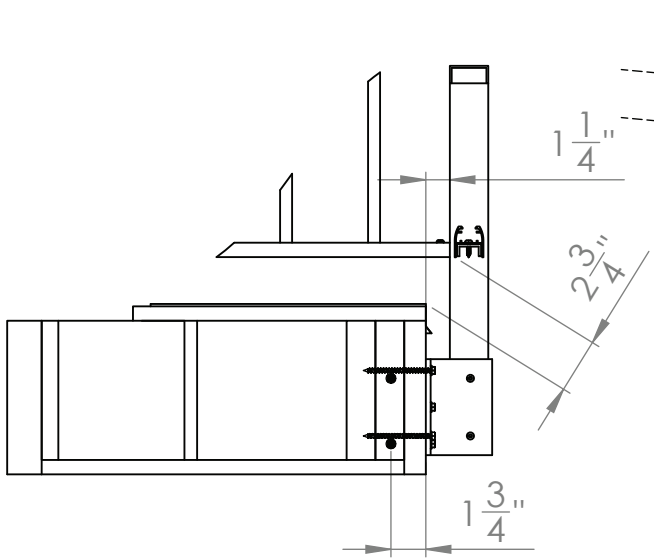
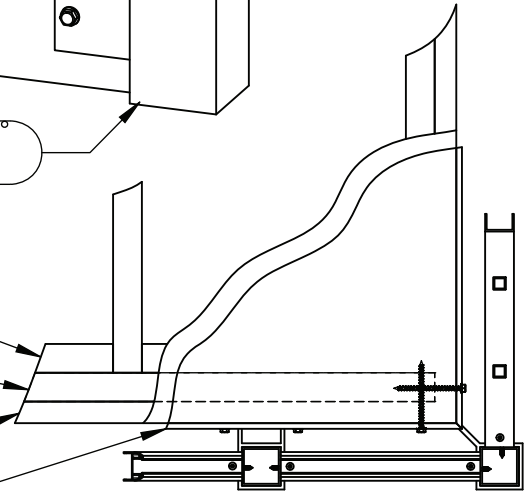
**P206 90° CORNER POST  
(PAGE 4.07)**

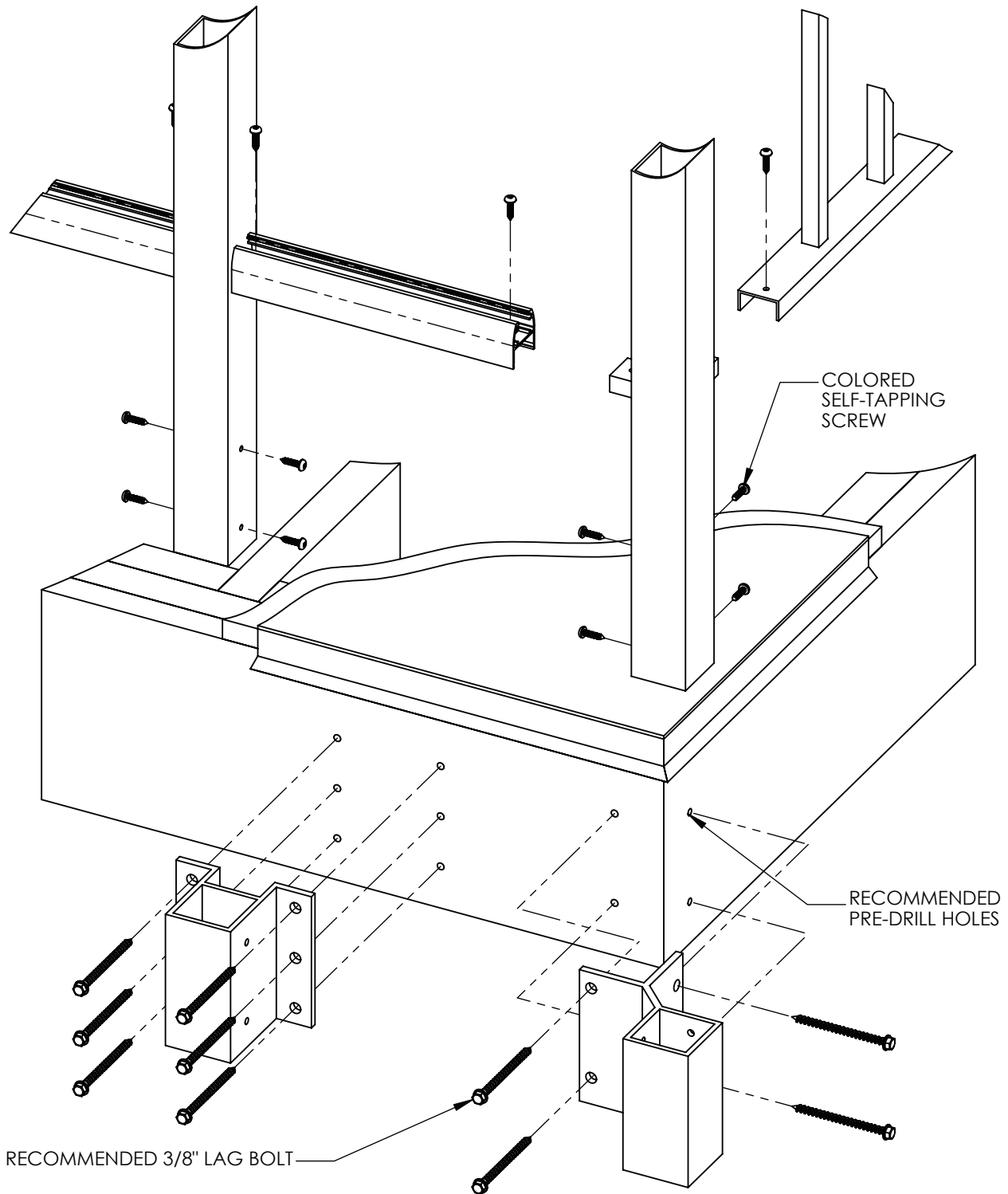


SIDE MOUNT Parallel SM01

SIDE MOUNT Out. 90° SM02

- Additional Blocking
- Rim Joist
- 1" Smart Board
- Drip Edge Flashing





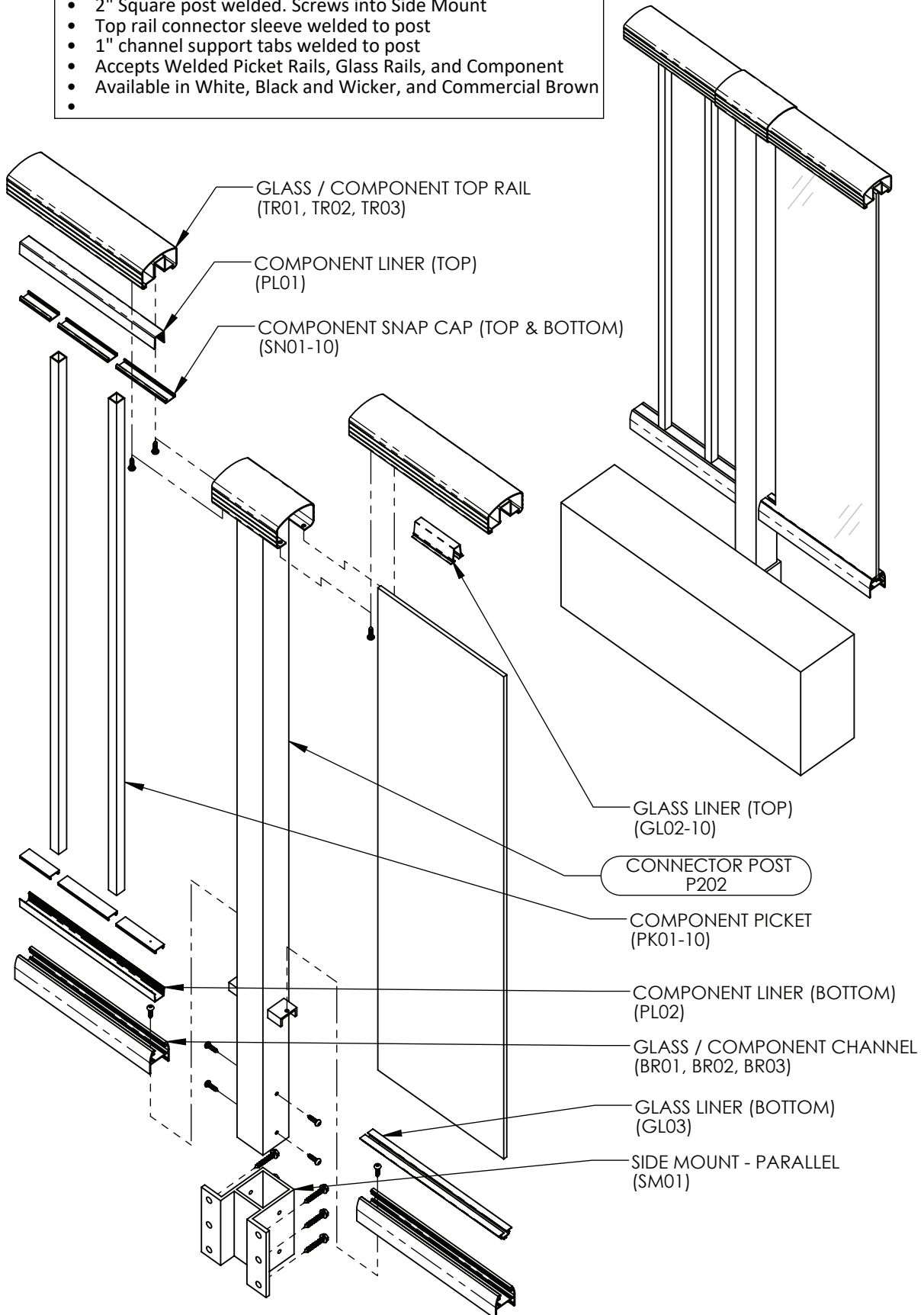
**SUGGESTED POST FASTENING DETAIL**

ALL POST MOUNTING PLATES MUST BE FASTENED THROUGH DECKING AND INTO STRUCTURAL MEMBERS OR SOLID WOOD BLOCKING.

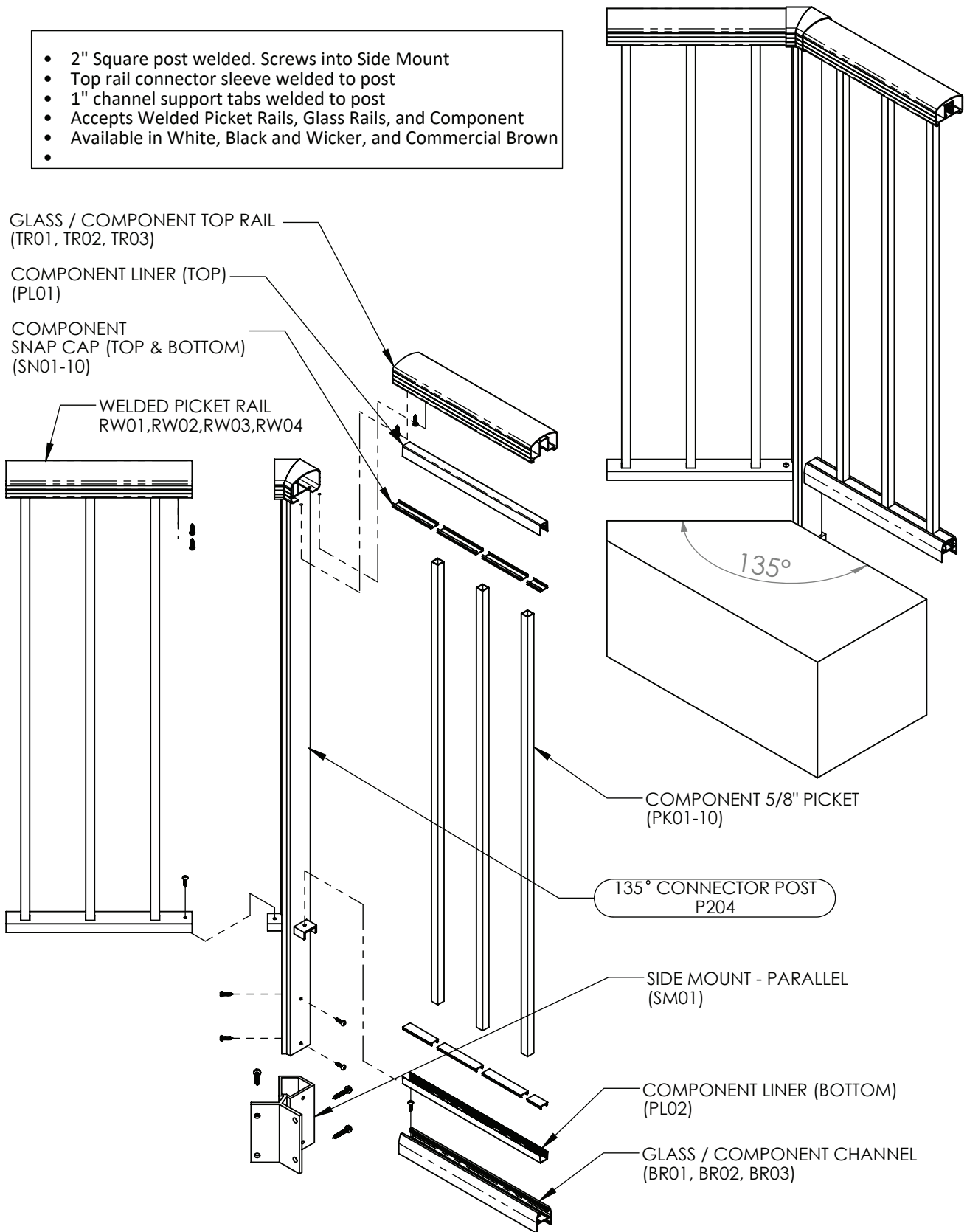
ALL SCREWS MUST BE FULLY EMBEDDED.

SUGGESTED INSTALLATION ONLY - WILL VARY WITH SITE CONDITIONS.  
CHECK AND COMPLY WITH LOCAL CODES AND REQUIREMENTS  
PRIOR TO AND DURING INSTALLATION.

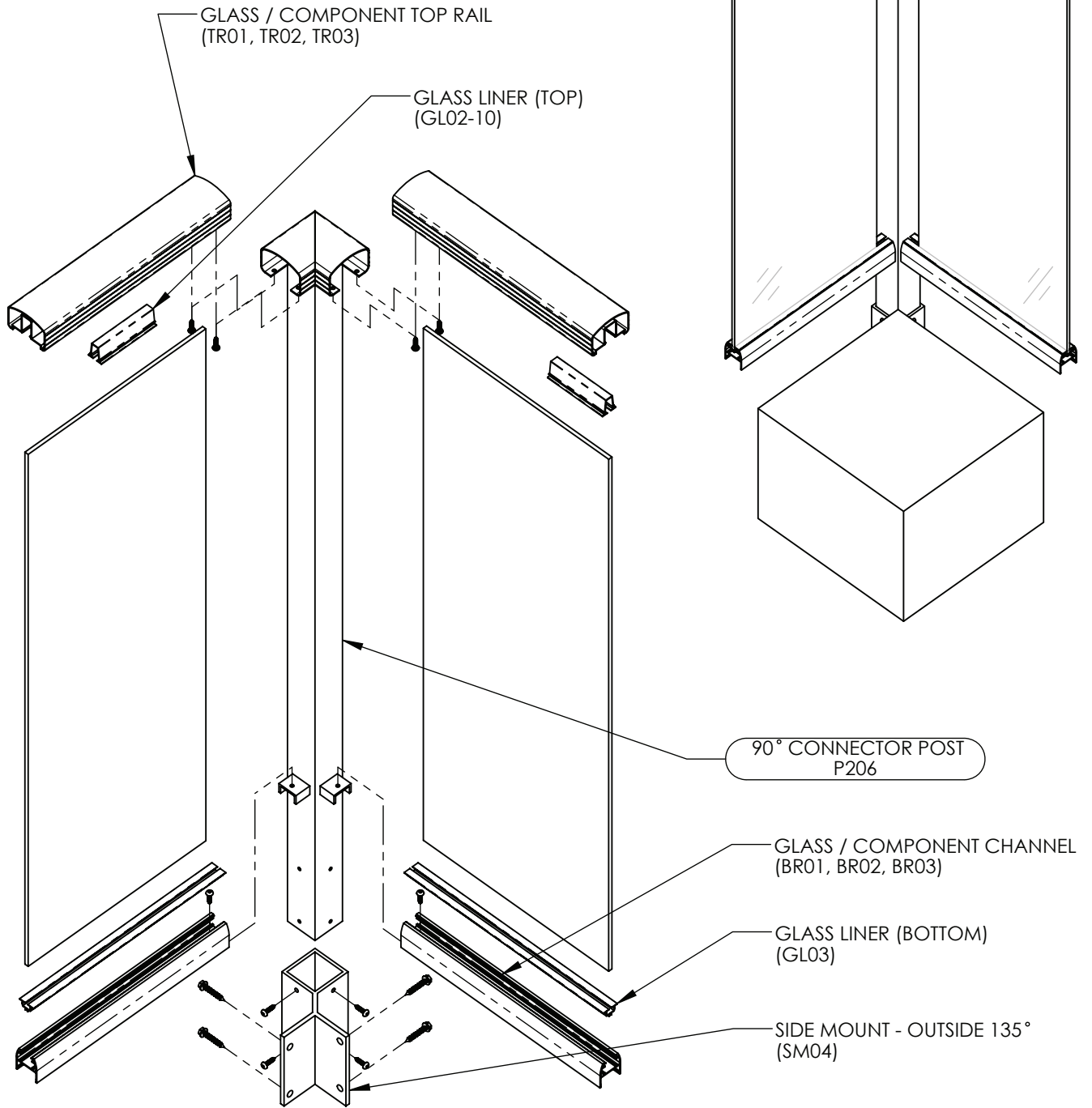
- 2" Square post welded. Screws into Side Mount
- Top rail connector sleeve welded to post
- 1" channel support tabs welded to post
- Accepts Welded Picket Rails, Glass Rails, and Component
- Available in White, Black and Wicker, and Commercial Brown



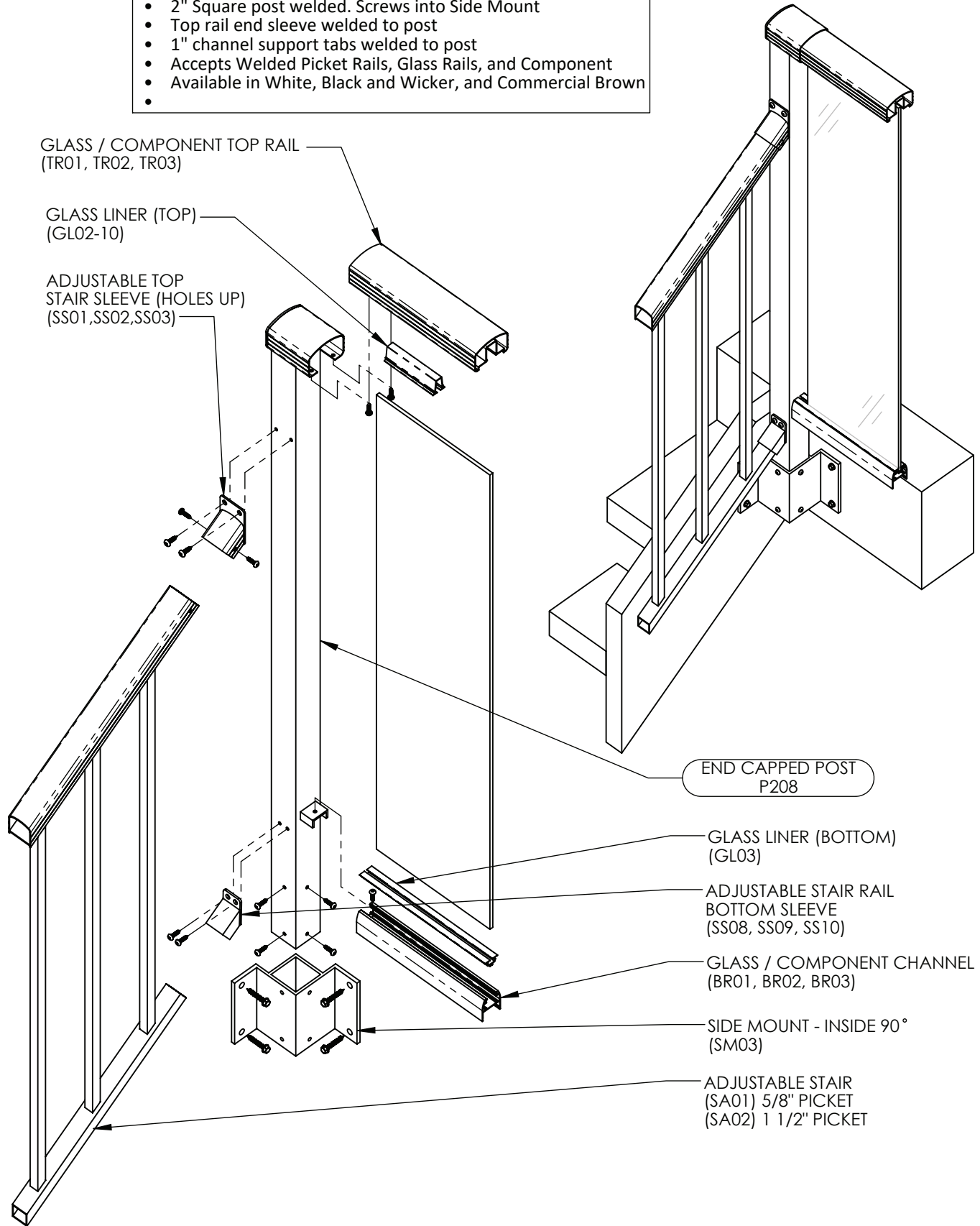
- 2" Square post welded. Screws into Side Mount
- Top rail connector sleeve welded to post
- 1" channel support tabs welded to post
- Accepts Welded Picket Rails, Glass Rails, and Component
- Available in White, Black and Wicker, and Commercial Brown



- 2" Square post welded. Screws into Side Mount
- Top rail connector sleeve welded to post
- 1" channel support tabs welded to post
- Accepts Welded Picket Rails, Glass Rails, and Component
- Available in White, Black and Wicker, and Commercial Brown

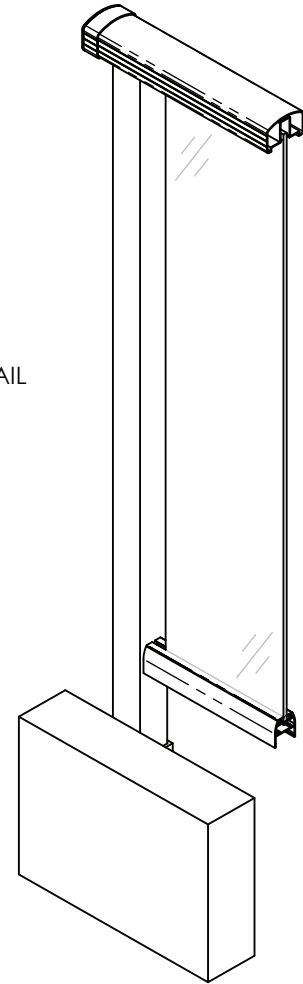
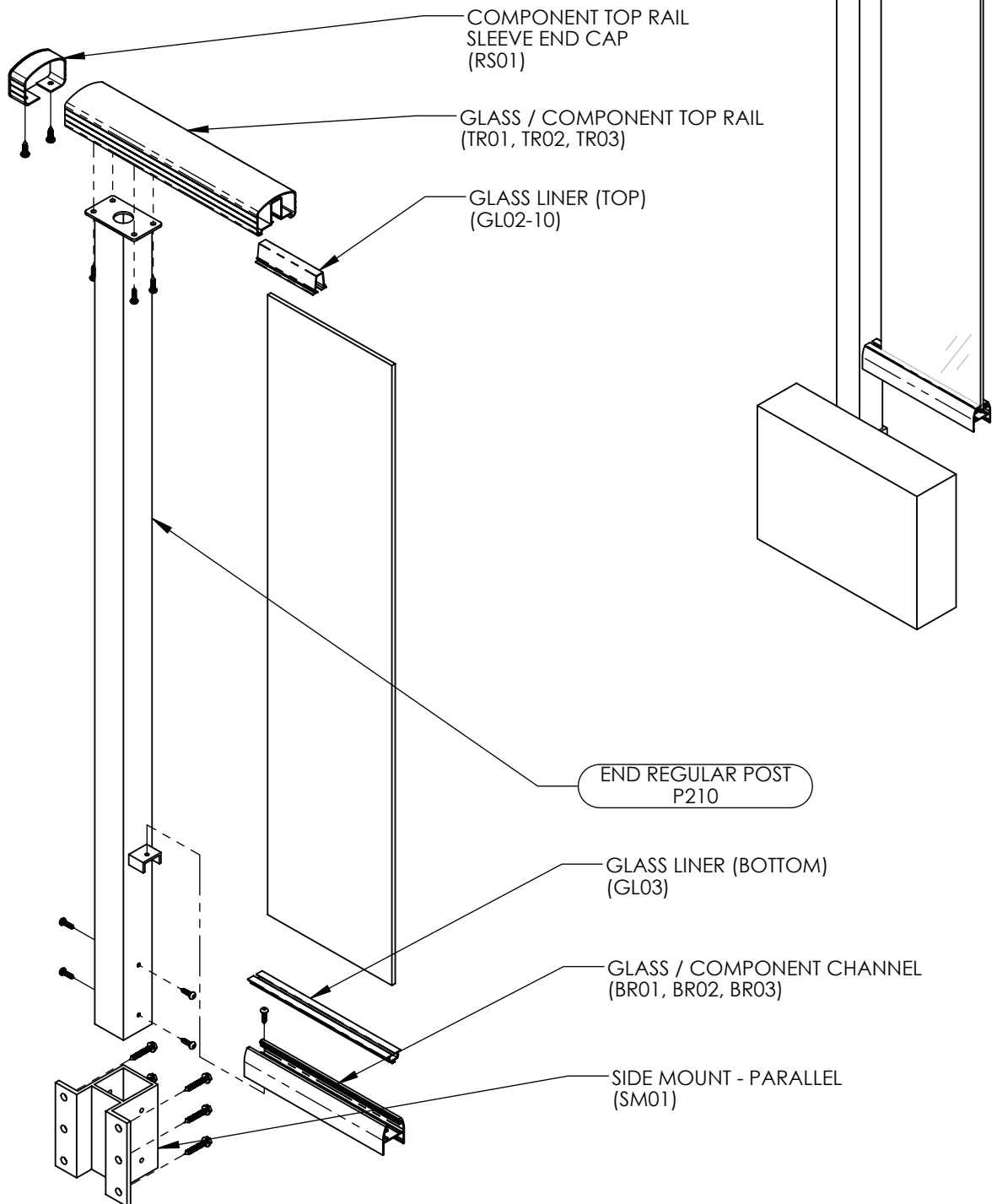


- 2" Square post welded. Screws into Side Mount
- Top rail end sleeve welded to post
- 1" channel support tabs welded to post
- Accepts Welded Picket Rails, Glass Rails, and Component
- Available in White, Black and Wicker, and Commercial Brown

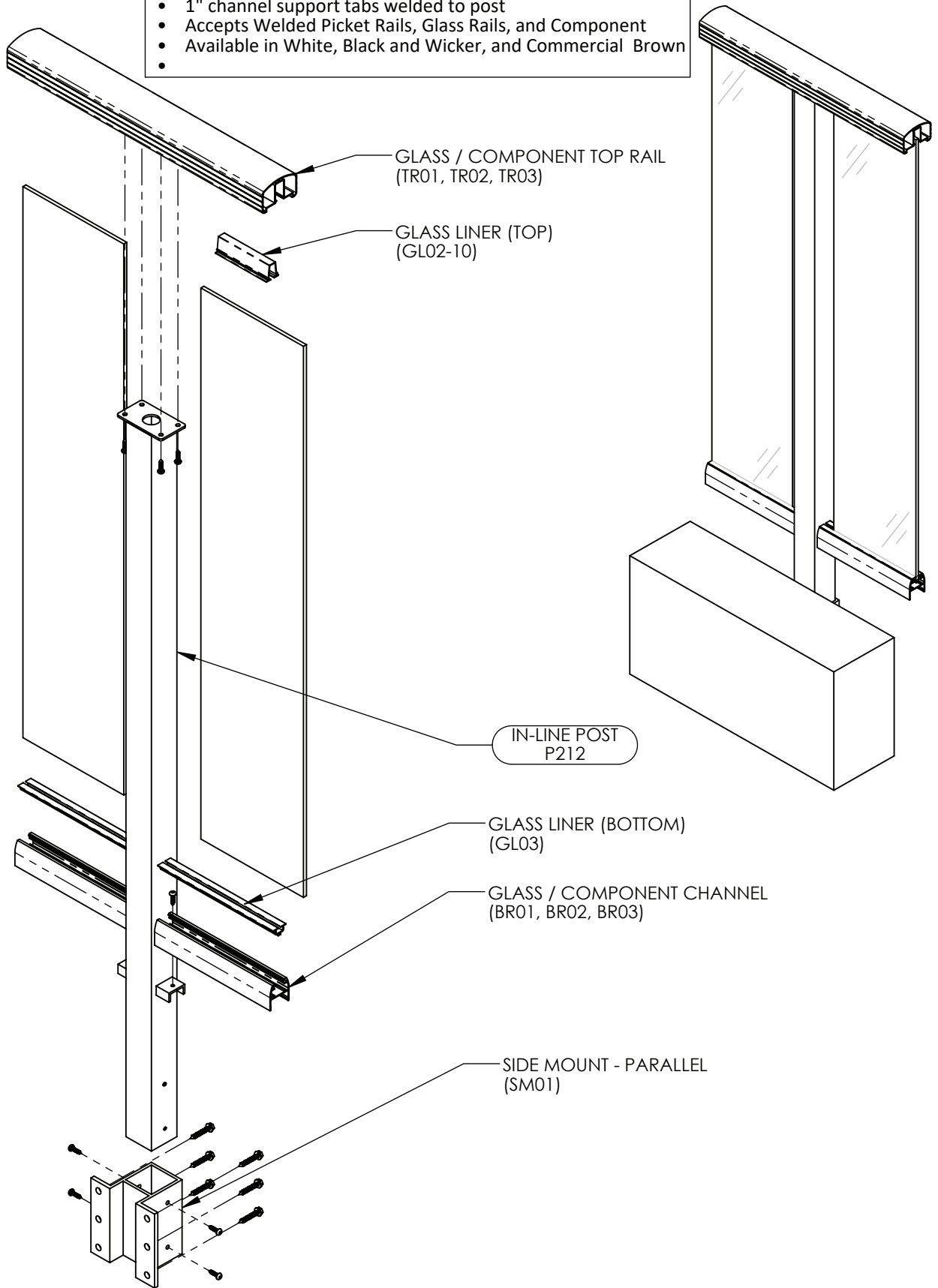




- 2" Square post welded. Screws into Side Mount
- Top rail in-line clip welded to post
- 1" channel support tabs welded to post
- Accepts Welded Picket Rails, Glass Rails, and Component
- Available in White, Black and Wicker, and Commercial Brown



- 2" Square post welded. Screws into Side Mount
- Top rail in-line clip welded to post
- 1" channel support tabs welded to post
- Accepts Welded Picket Rails, Glass Rails, and Component
- Available in White, Black and Wicker, and Commercial Brown



GLASS / COMPONENT TOP RAIL  
 (TR01, TR02, TR03)

GLASS LINER (TOP)  
 (GL02-10)

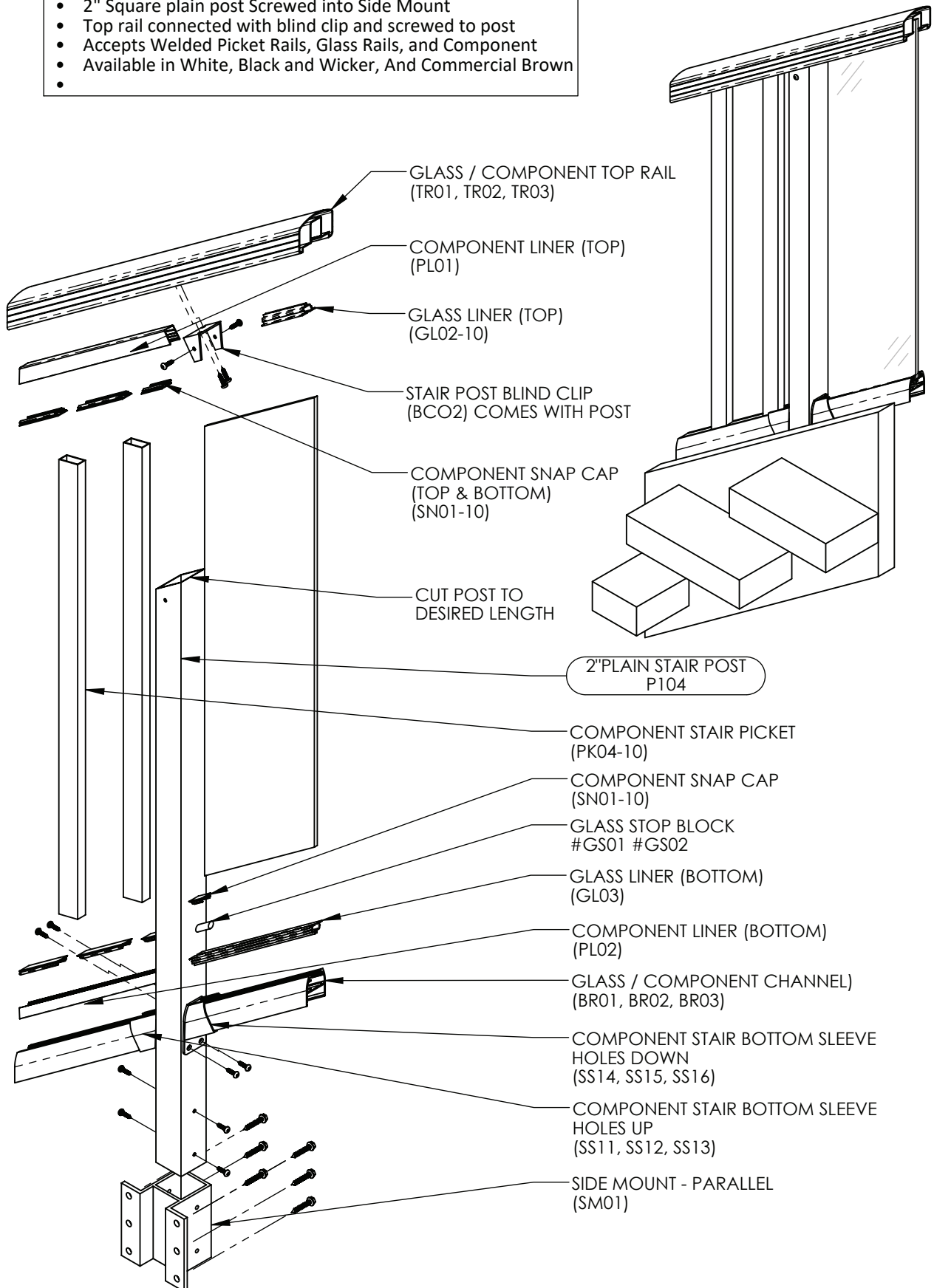
IN-LINE POST  
 P212

GLASS LINER (BOTTOM)  
 (GL03)

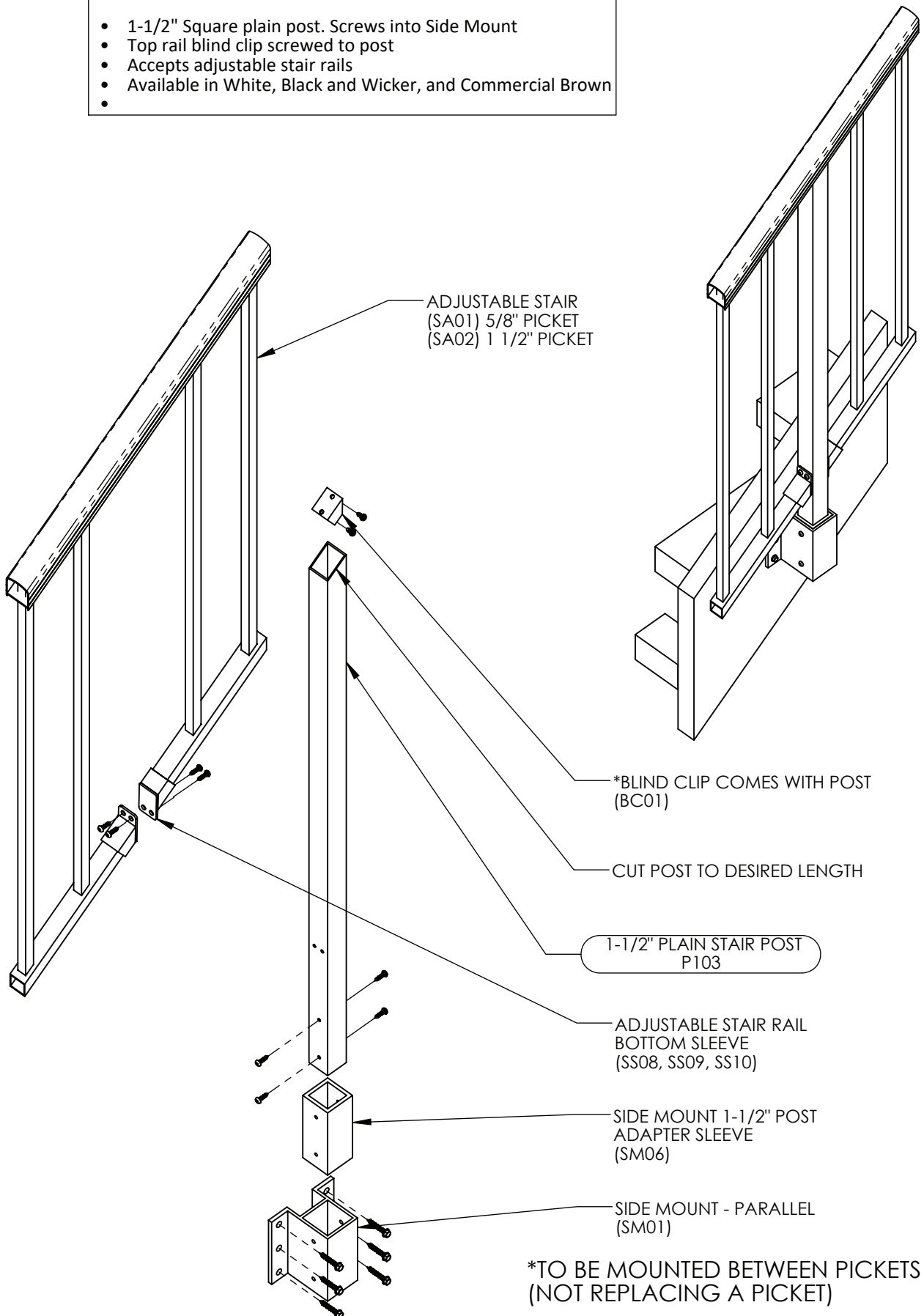
GLASS / COMPONENT CHANNEL  
 (BR01, BR02, BR03)

SIDE MOUNT - PARALLEL  
 (SM01)

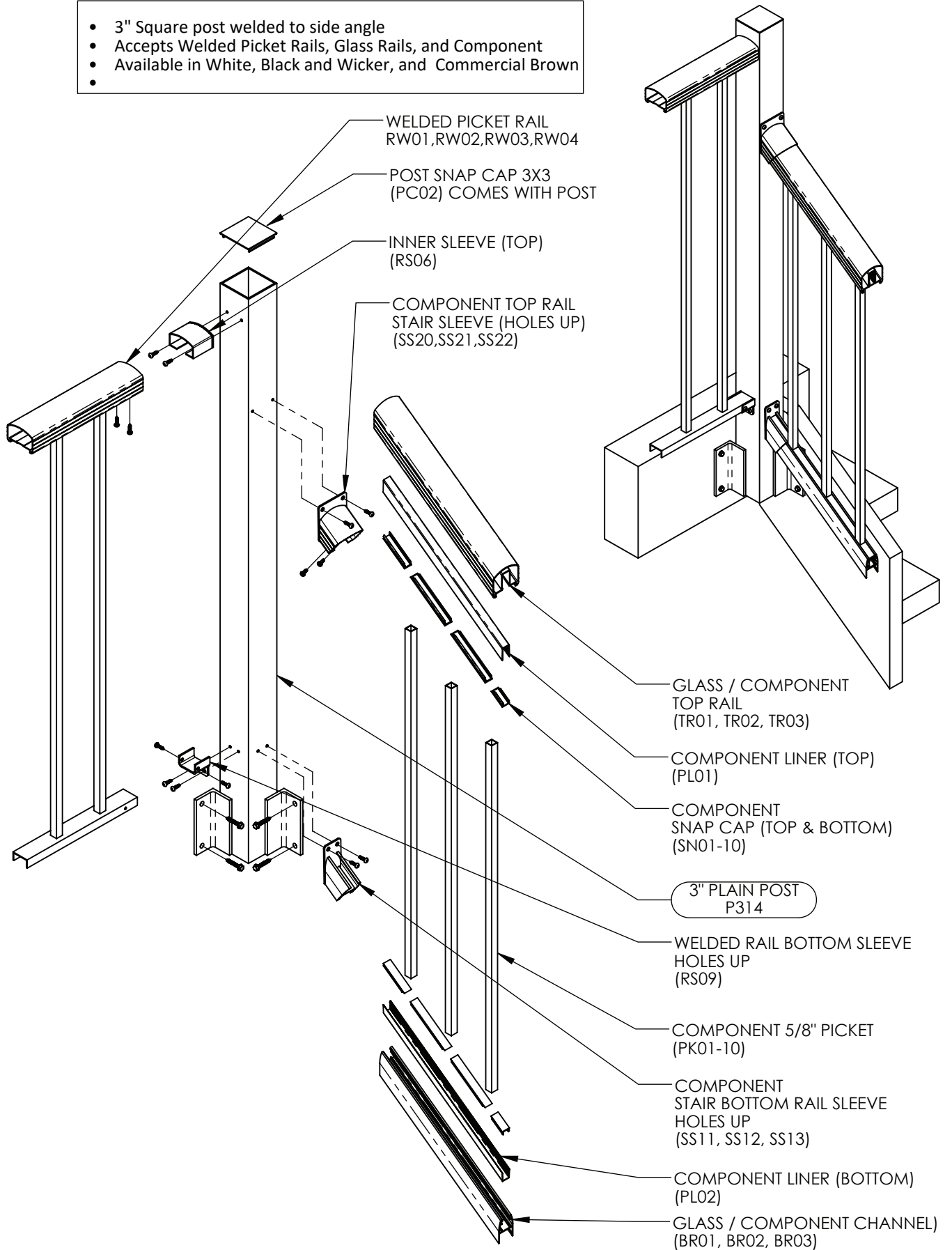
- 2" Square plain post Screwed into Side Mount
- Top rail connected with blind clip and screwed to post
- Accepts Welded Picket Rails, Glass Rails, and Component
- Available in White, Black and Wicker, And Commercial Brown



- 1-1/2" Square plain post. Screws into Side Mount
- Top rail blind clip screwed to post
- Accepts adjustable stair rails
- Available in White, Black and Wicker, and Commercial Brown



- 3" Square post welded to side angle
- Accepts Welded Picket Rails, Glass Rails, and Component
- Available in White, Black and Wicker, and Commercial Brown

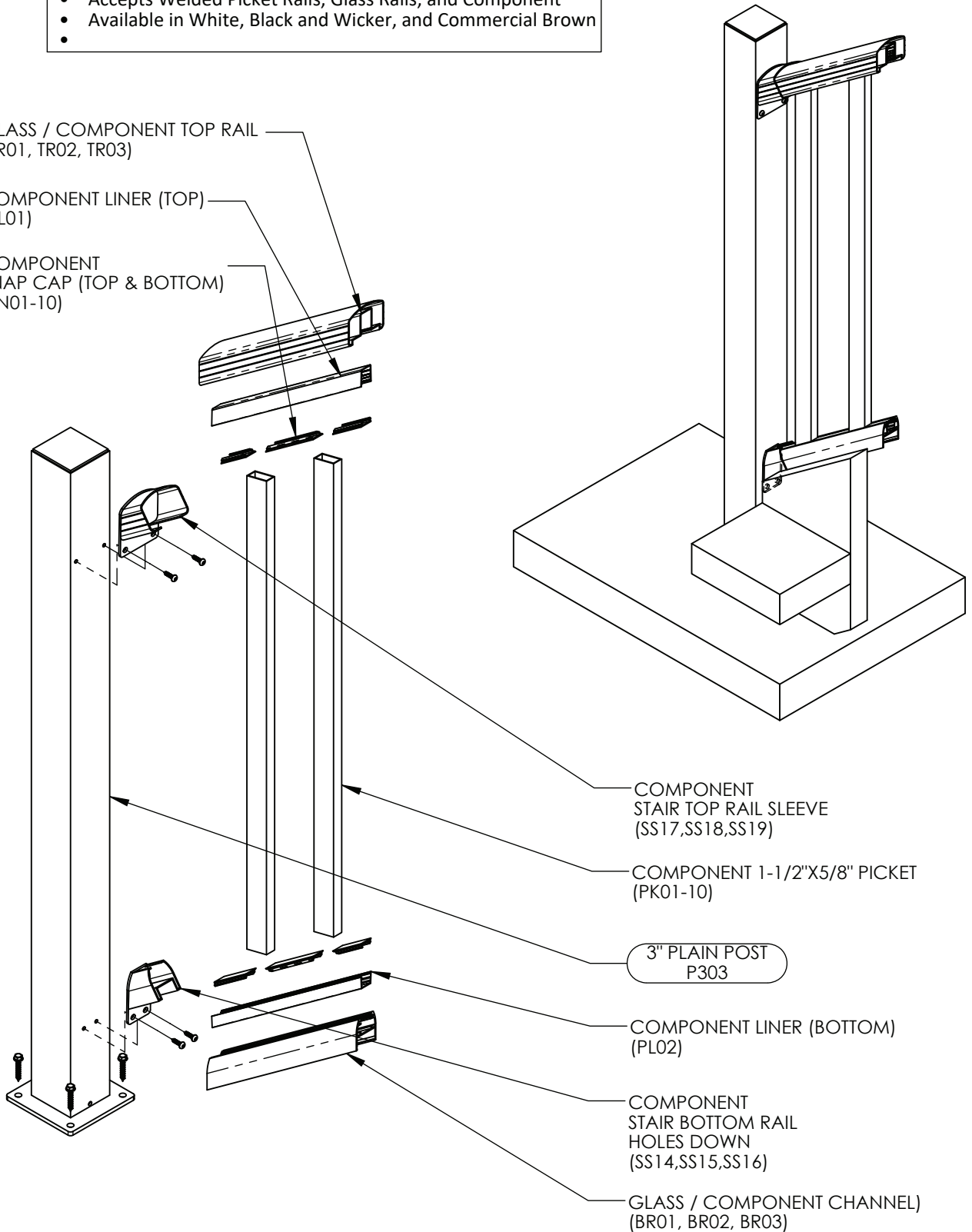


- 3" Square post welded to base plate
- Accepts Welded Picket Rails, Glass Rails, and Component
- Available in White, Black and Wicker, and Commercial Brown

GLASS / COMPONENT TOP RAIL  
(TR01, TR02, TR03)

COMPONENT LINER (TOP)  
(PL01)

COMPONENT  
SNAP CAP (TOP & BOTTOM)  
(SN01-10)



COMPONENT  
STAIR TOP RAIL SLEEVE  
(SS17,SS18,SS19)

COMPONENT 1-1/2\"X5/8\" PICKET  
(PK01-10)

3\" PLAIN POST  
P303

COMPONENT LINER (BOTTOM)  
(PL02)

COMPONENT  
STAIR BOTTOM RAIL  
HOLES DOWN  
(SS14,SS15,SS16)

GLASS / COMPONENT CHANNEL)  
(BR01, BR02, BR03)