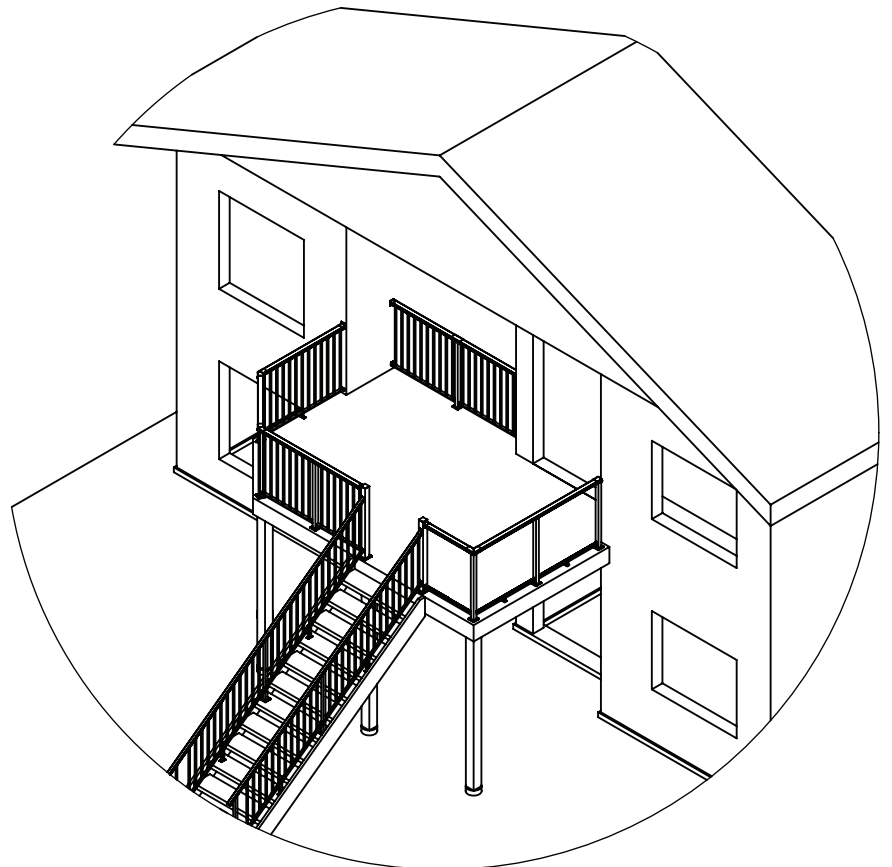


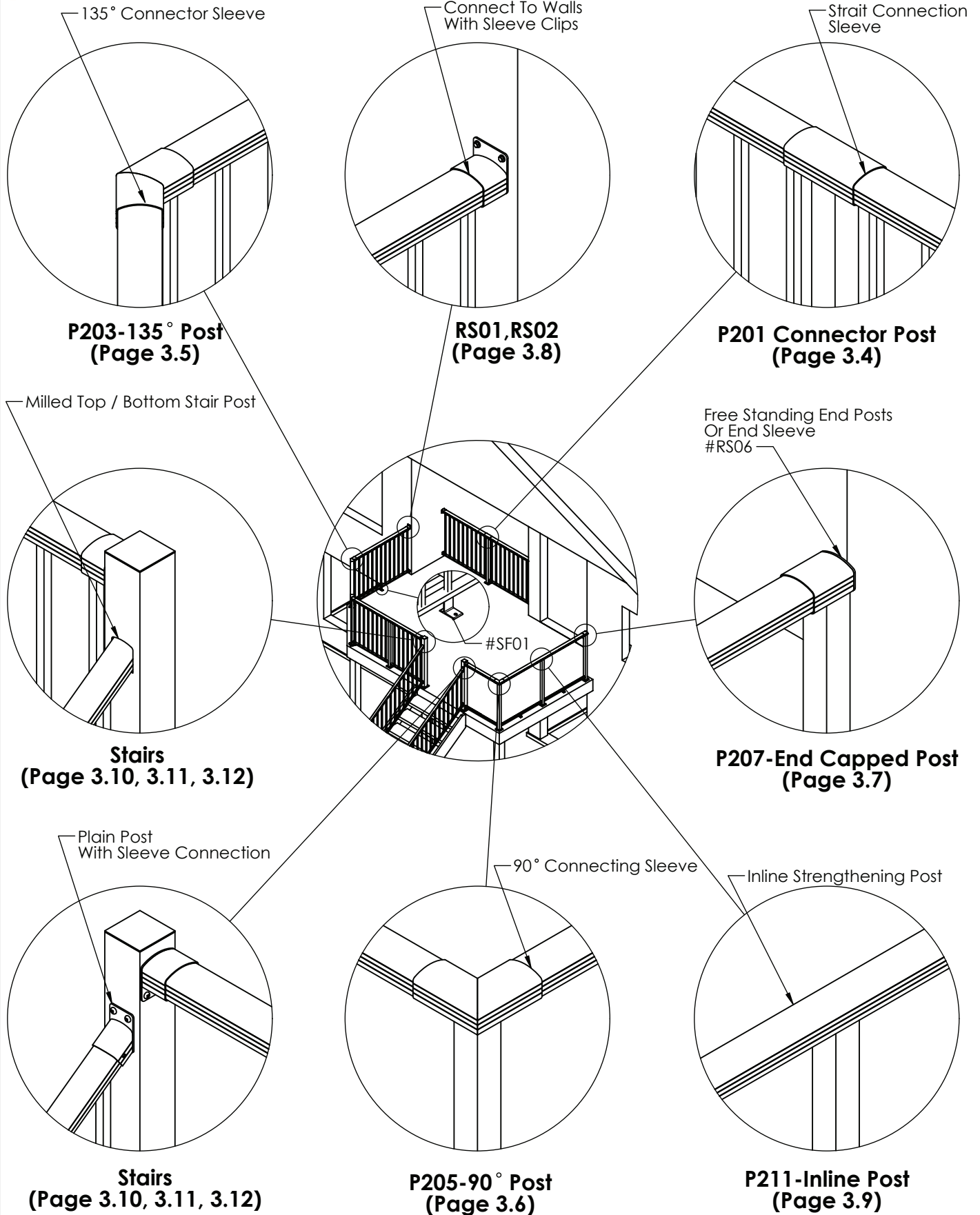
Common Top Mount Product Application

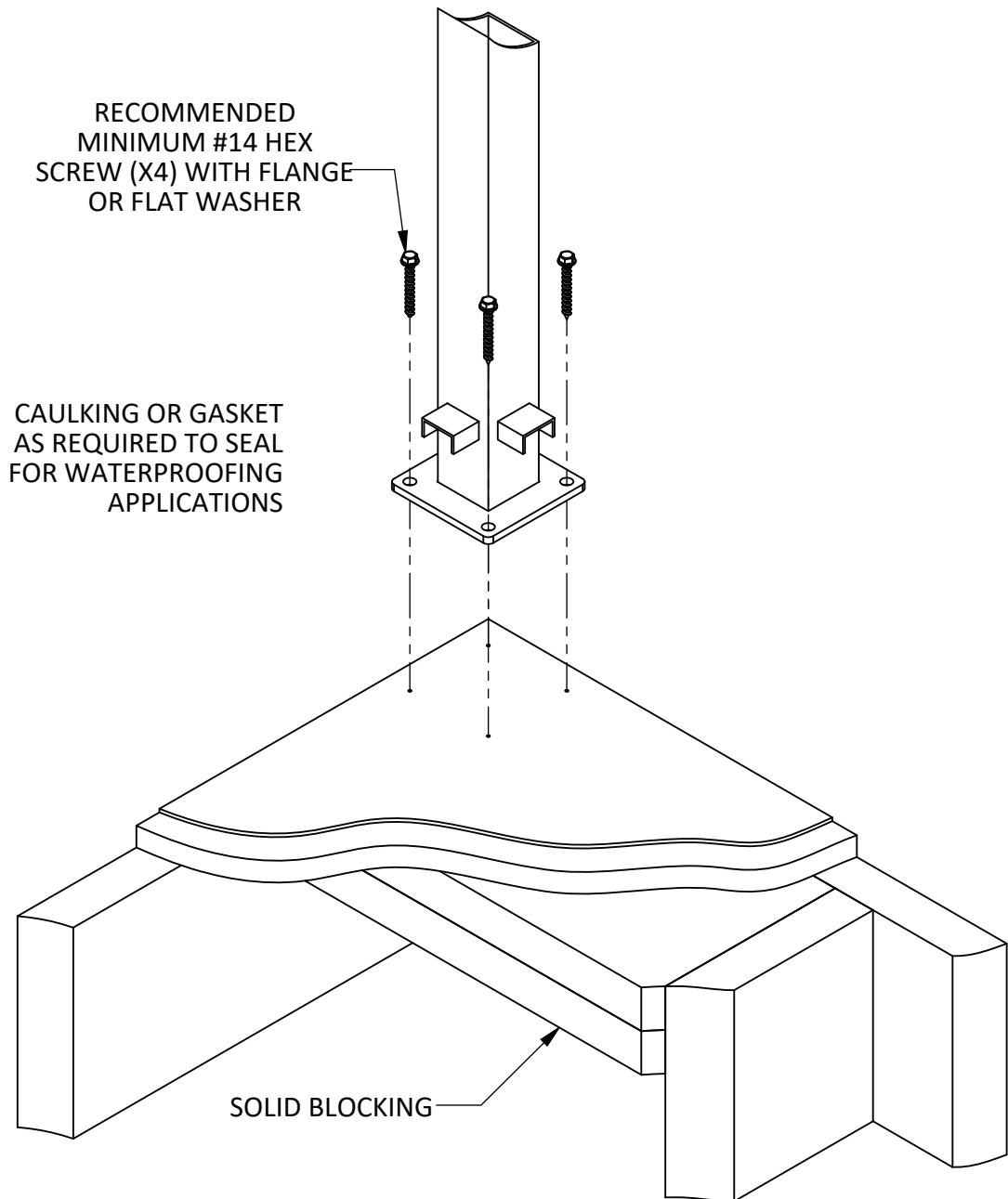
- *Simplicity*
- *Quality*
- *Ease of Installation*
- *Predictability*
- *Confidence*

*It's all right here,
built into your
project with*

SMARTRAILSYSTEM







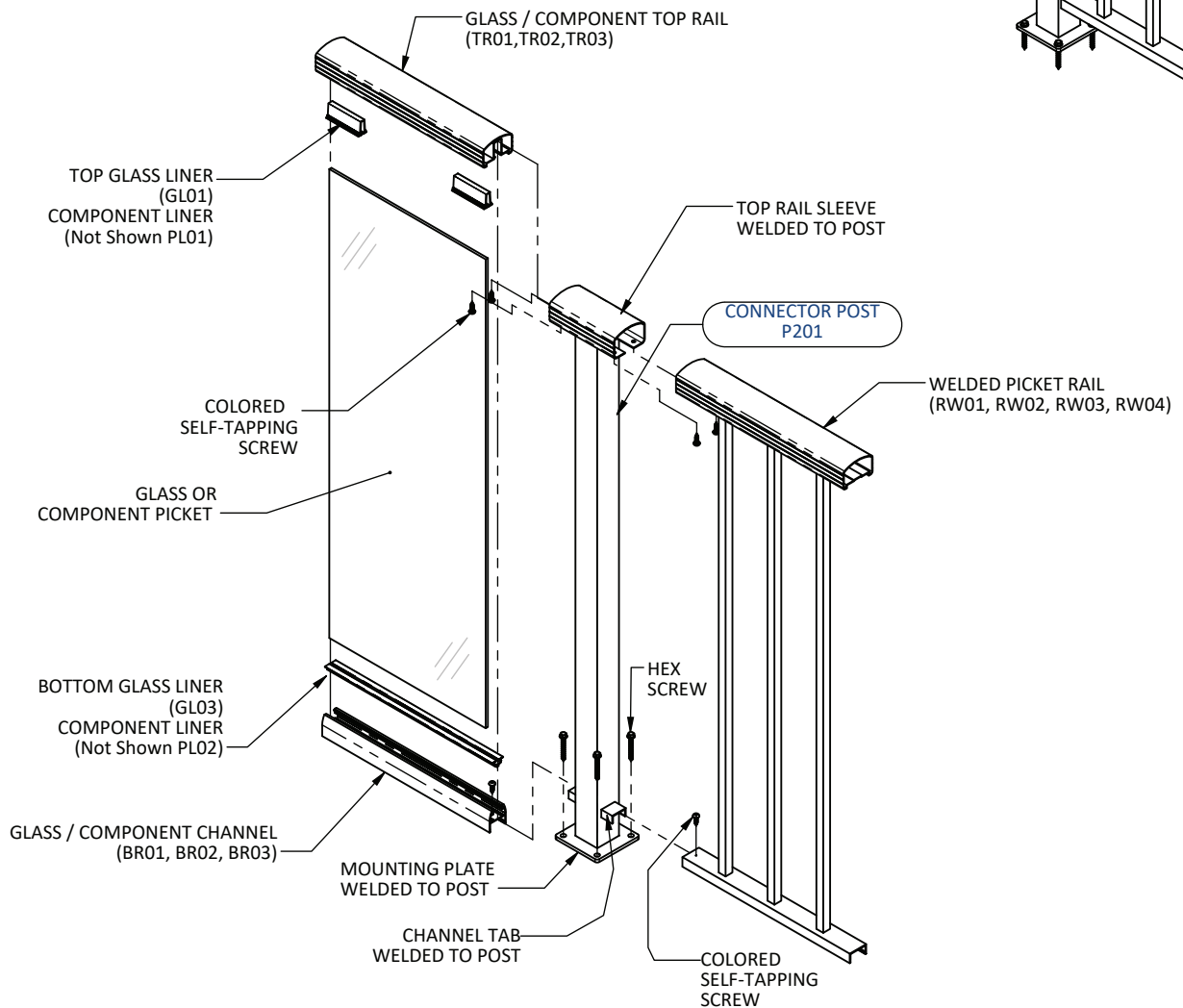
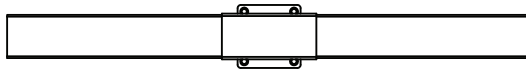
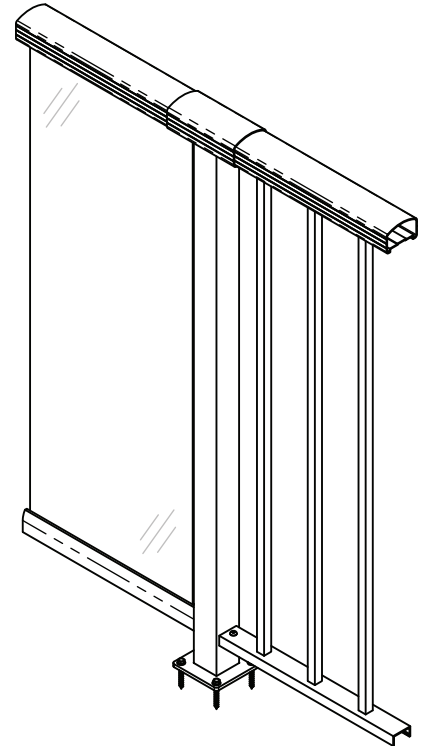
SUGGESTED POST FASTENING DETAIL

ALL POST MOUNTING PLATES MUST BE FASTENED THROUGH DECKING AND INTO STRUCTURAL MEMBERS OR SOLID WOOD BLOCKING.

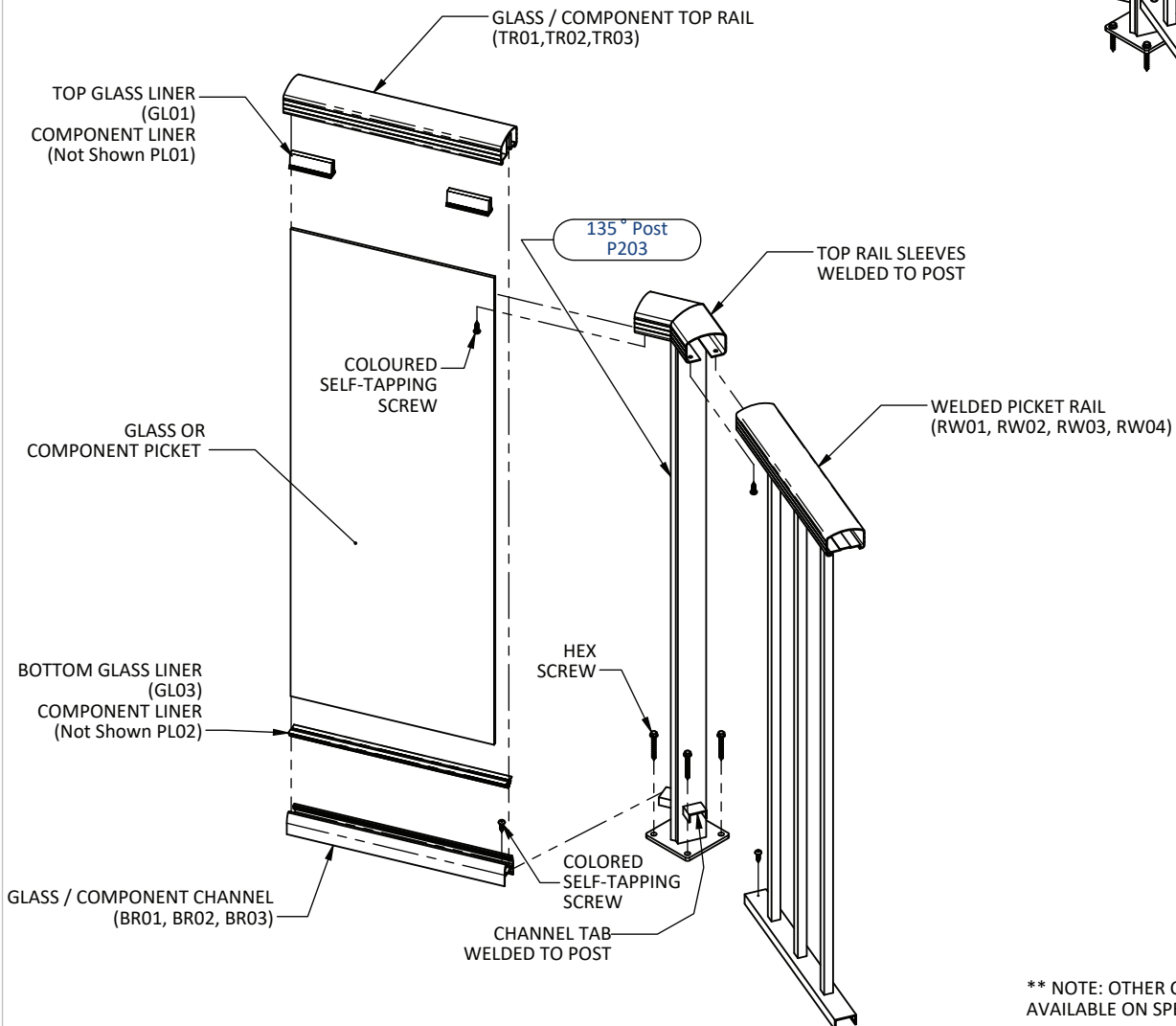
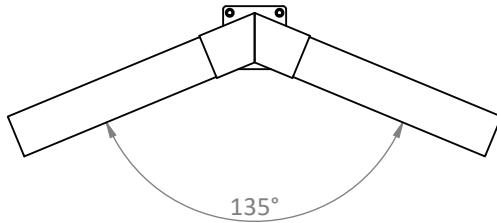
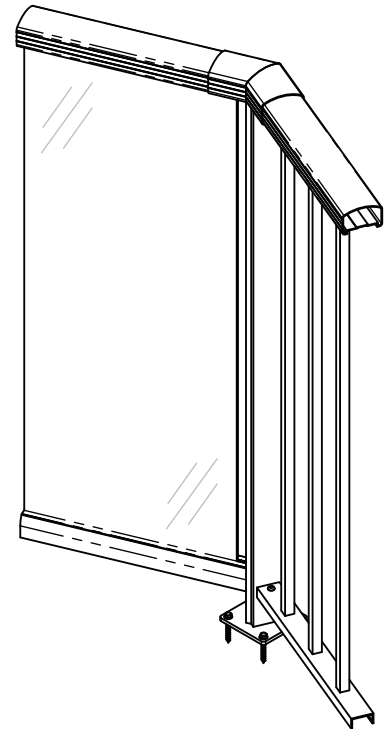
ALL SCREWS MUST BE FULLY EMBEDDED.

SUGGESTED INSTALLATION ONLY - WILL VARY WITH SITE CONDITIONS. CHECK AND COMPLY WITH LOCAL CODES AND REQUIREMENTS PRIOR TO AND DURING INSTALLATION.

- 2" post welded to 4"x4" mounting plate
- Top rail sleeves welded to post
- 1" channel support tabs welded to post
- Accepts Welded Picket Rails, Glass / Picket Component Rails or both
- Available in White, Black, Wicker, and Commercial Brown
- Fascia-mount post available to suit site conditions

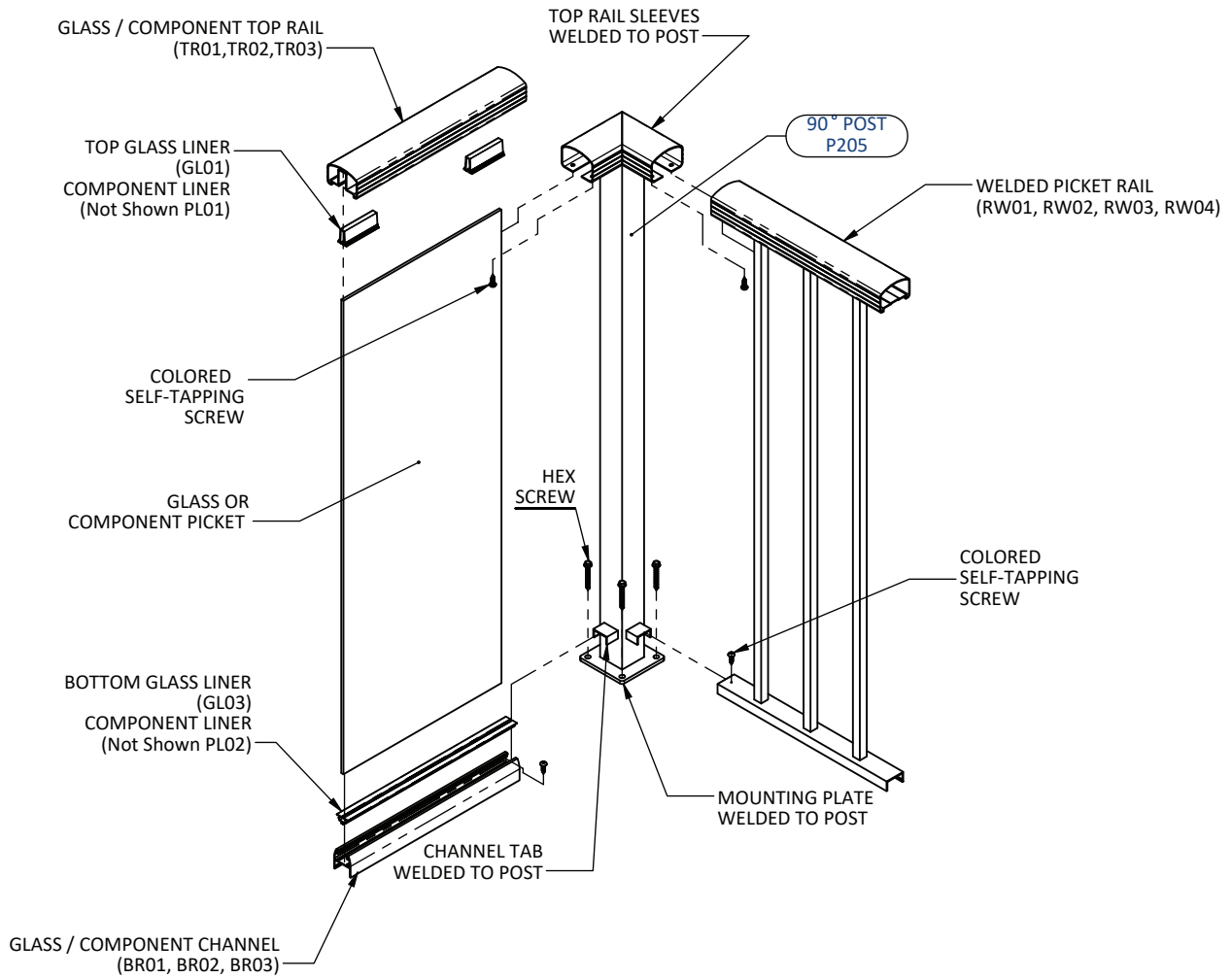
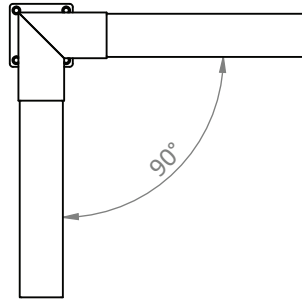
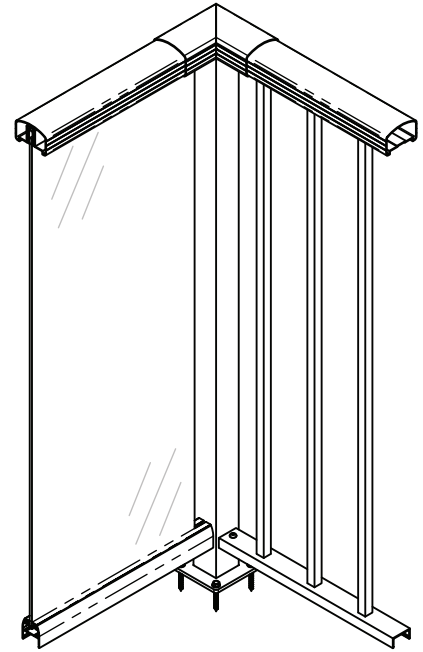


- 2" 135° post welded to 4"x4" mounting plate
- Top rail sleeves welded to post
- 1" channel support tabs welded to post
- Accepts Welded Picket Rails, Glass / Picket Component Rails or both
- Available in White, Black, Wicker, and Commercial Brown
- Fascia-mount post available to suit site conditions

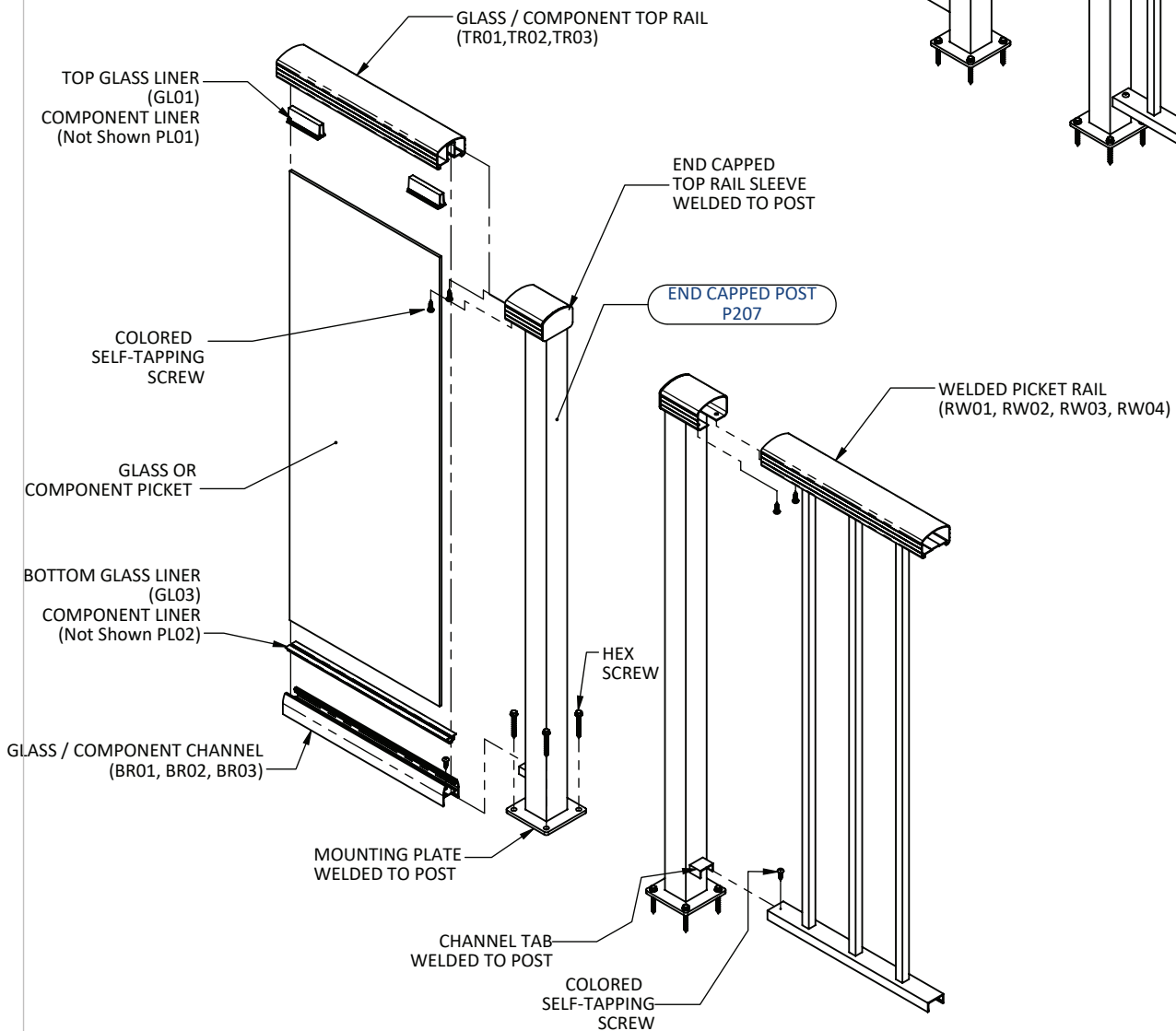
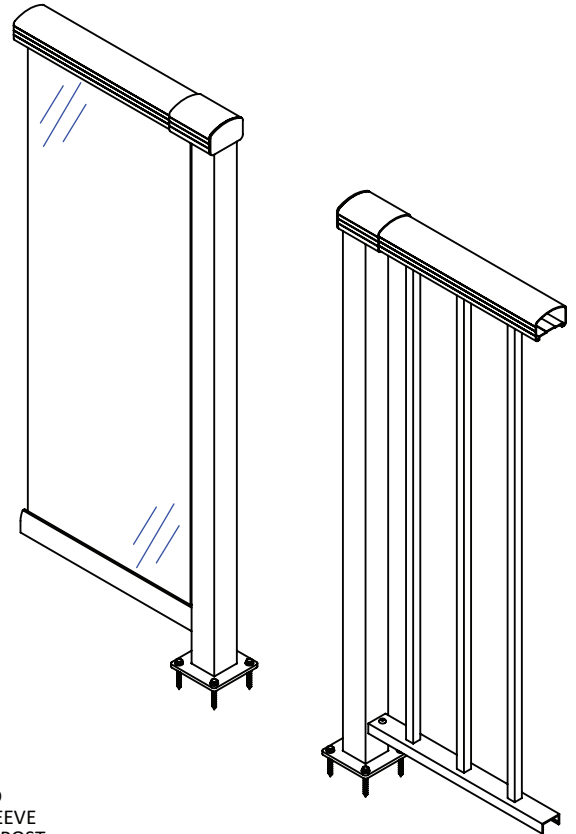


** NOTE: OTHER CUSTOM ANGLES AVAILABLE ON SPECIALTY ORDERS**

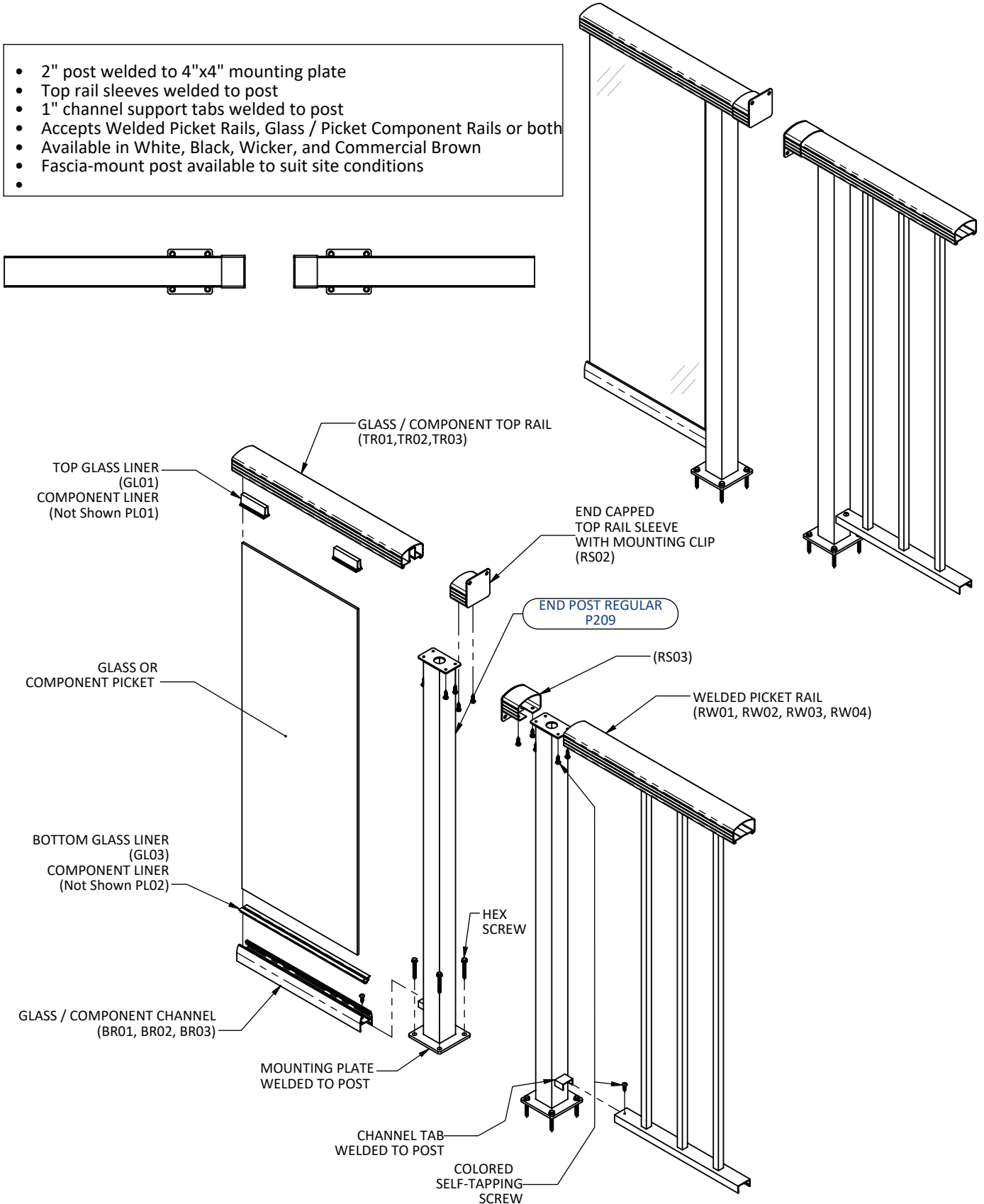
- 2" post welded to 4"x4" mounting plate
- Top rail sleeves welded to post
- 1" channel support tabs welded to post
- Accepts Welded Picket Rails, Glass / Picket Component Rails or both
- Available in White, Black, Wicker, and Commercial Brown
- Fascia-mount post available to suit site conditions

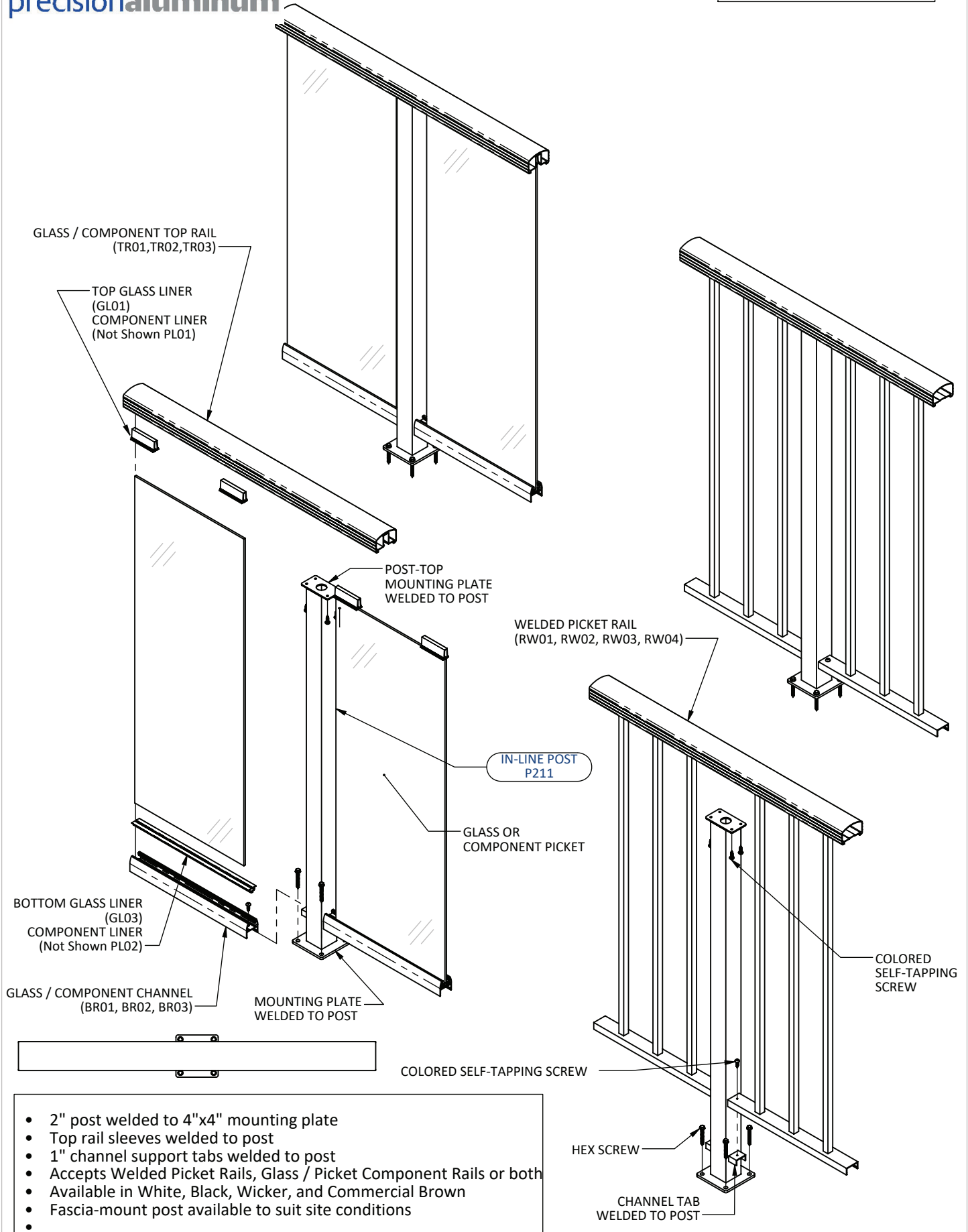


- 2" post welded to 4"x4" mounting plate
- Top rail sleeves welded to post
- 1" channel support tabs welded to post
- Accepts Welded Picket Rails, Glass / Picket Component Rails or both
- Available in White, Black, Wicker, and Commercial Brown
- Fascia-mount post available to suit site conditions



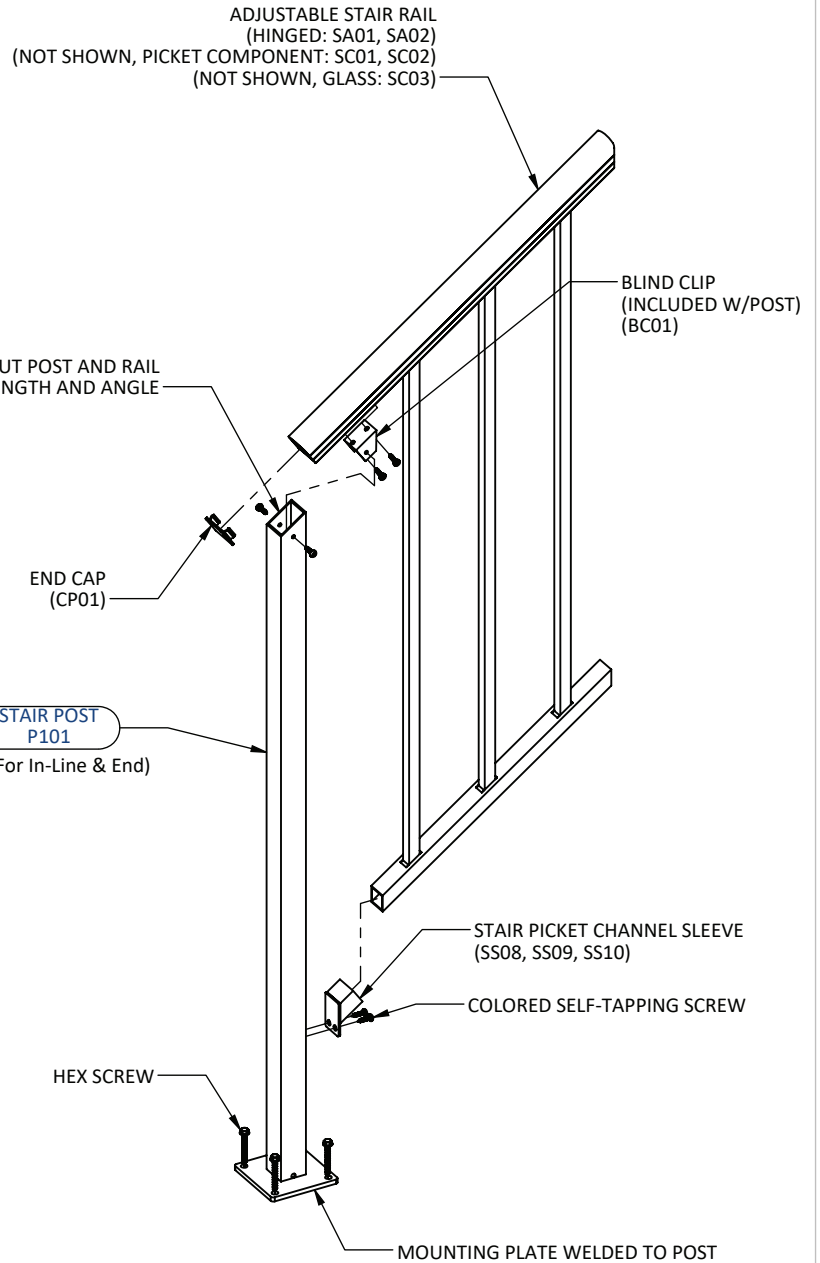
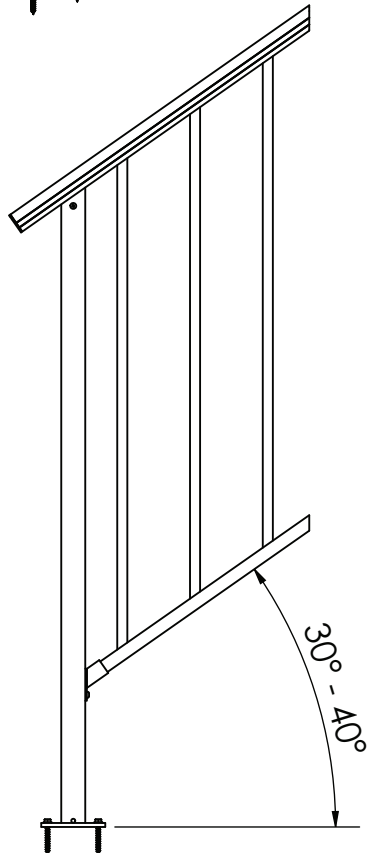
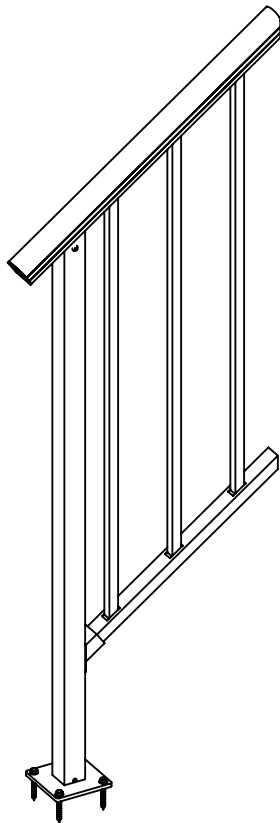
- 2" post welded to 4"x4" mounting plate
- Top rail sleeves welded to post
- 1" channel support tabs welded to post
- Accepts Welded Picket Rails, Glass / Picket Component Rails or both
- Available in White, Black, Wicker, and Commercial Brown
- Fascia-mount post available to suit site conditions



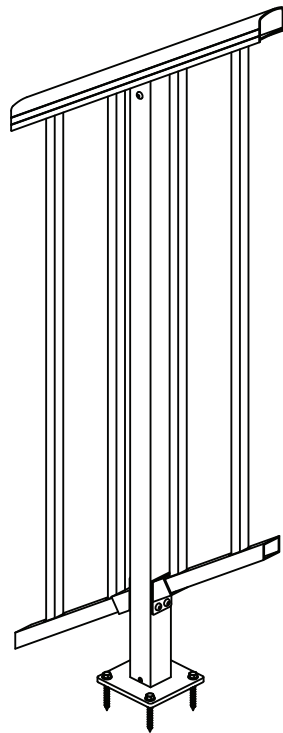


- 2" post welded to 4"x4" mounting plate
- Top rail sleeves welded to post
- 1" channel support tabs welded to post
- Accepts Welded Picket Rails, Glass / Picket Component Rails or both
- Available in White, Black, Wicker, and Commercial Brown
- Fascia-mount post available to suit site conditions

- 1½" Stair post with clip package welded to 4"x4" mounting plate
- Adjustable stair rail package
- Available in White, Black, Wicker, and Brown



- 1½" Square Stair Post welded to Mounting Plate
- Blind Clip included with Post
- Adjustable Stair Rail Package
- Cut post to suit stair rail angle & bottom rail after top and bottom posts are installed. Ensure bottom rail cut is center between pickets
- Available in White, Black Wicker, and Commercial Brown

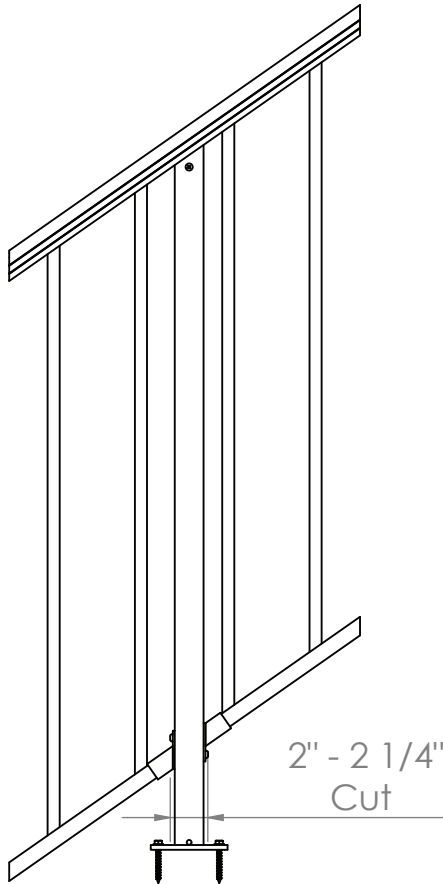


ADJUSTABLE STAIR RAIL
SA01
SA02

BLIND CLIP (INCLUDED W/POST)

COLORED
SELF-TAPPING
SCREW

STAIR POST
P101



COLORED
SELF-TAPPING
SCREW

SS08
SS09
SS10

HEX SCREW

SS08
SS09
SS10

COLORED
SELF-TAPPING
SCREW

MOUNTING PLATE
WELDED TO POST

